

PLATINUM BIOMETRICS



MODEL - PB 6600 76 RF CARD LOCK

Free standing and powered.

2 open options, namely RF card or manual unique key.

RF cards can be coded for various times and hours to ensure access is regulated.

Full Audit trail if required.

2 High security emergency override keys included.

Dead bolt option for extra security.

Stainless steel and metal alloy, unit is rustproof.

3.5 cm minimum door thickness required.

Free rotating handle, prolonging the lifespan of the lock as the mechanical work is done by your hand and not an electronic mortise, which reduces maintenance.

Powered by 4 "AA" batteries which are quickly and easily changeable.

Robust but still extremely elegant.

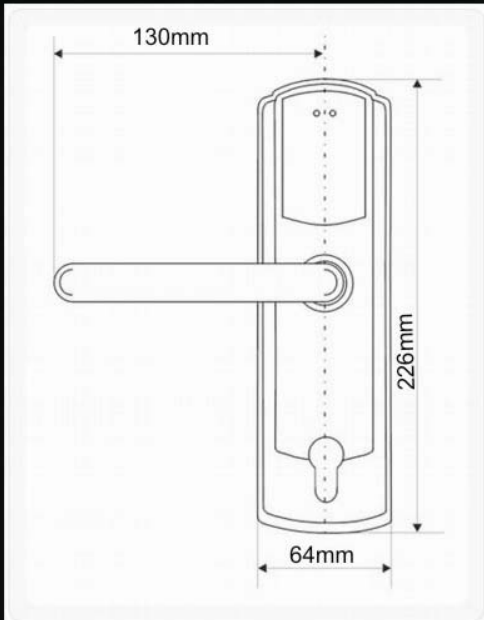
Very user friendly.



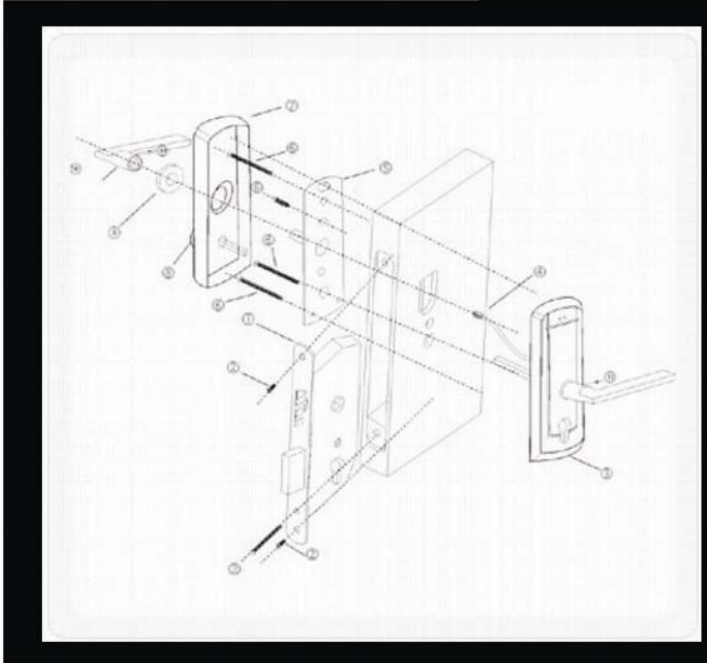
PLATINUM BIOMETRICS



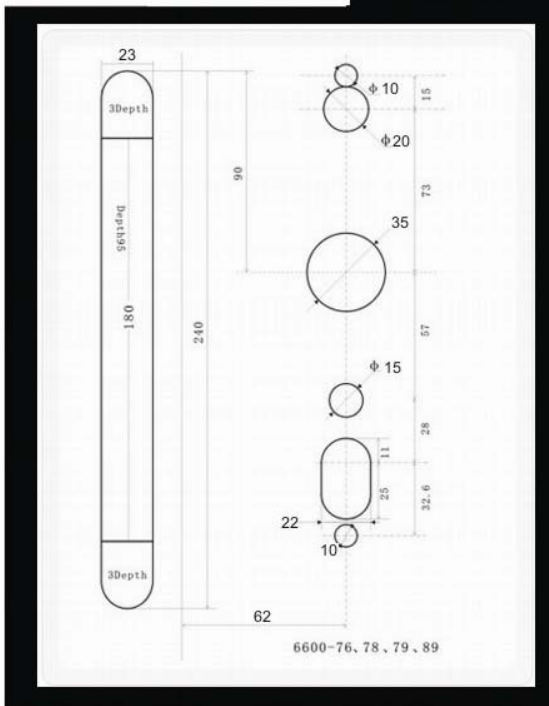
Dimension



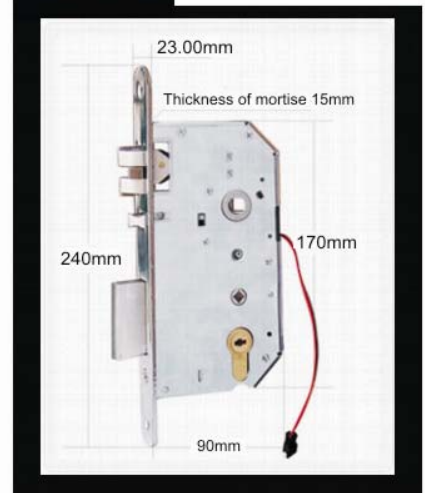
Installation Sketch



Hole sketch



Mortise



Static Electric Current: IC touched card lock < 10µA
 IC touched card lock+electromagnetic lock < 10µA
 Reaction card lock < 50µA
 Opening time 3 - 4 seconds

CONTACT INFO:
 Tel: 012 424 4144
 email: info@platinumbiometrics.co.za

RF Card Receiver Lock
 Power: 4 1.5V standard alkaline batteries
 Operating temperature: -20° to 70° C. *
 Unit material - Zink alloy and Stainless steel
 CE Approved
 For details on guarantee, kindly refer to our website

